

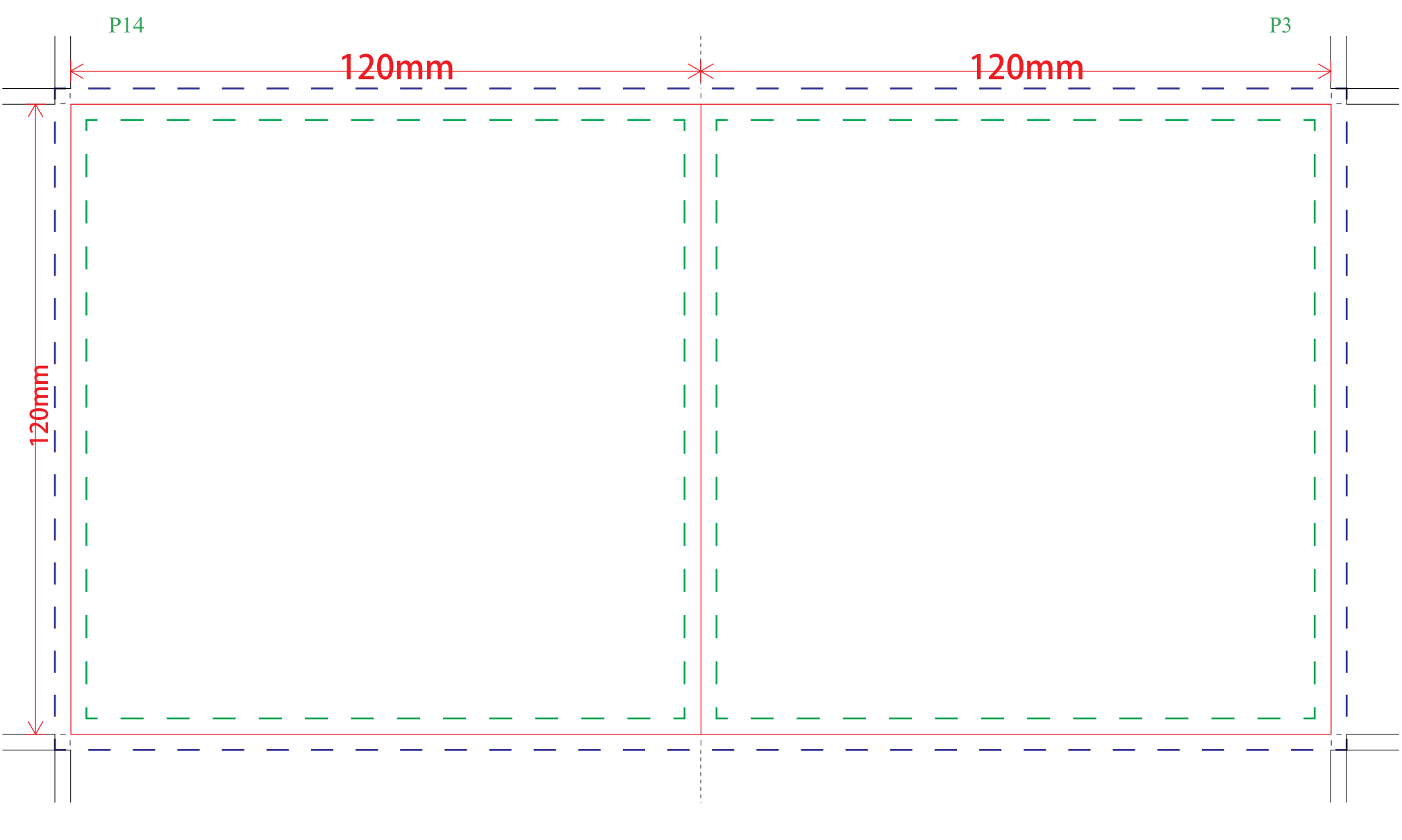
P2

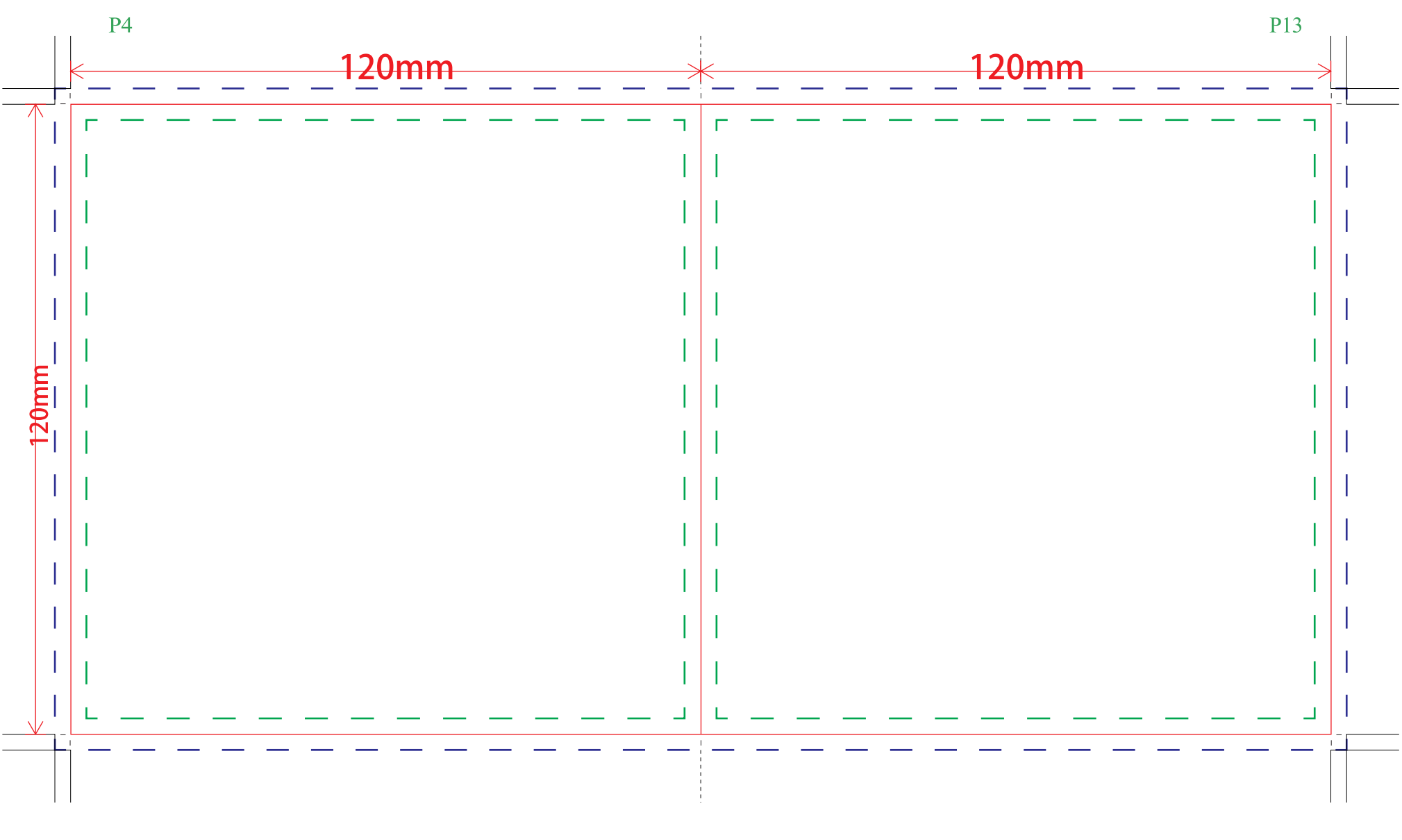
P15

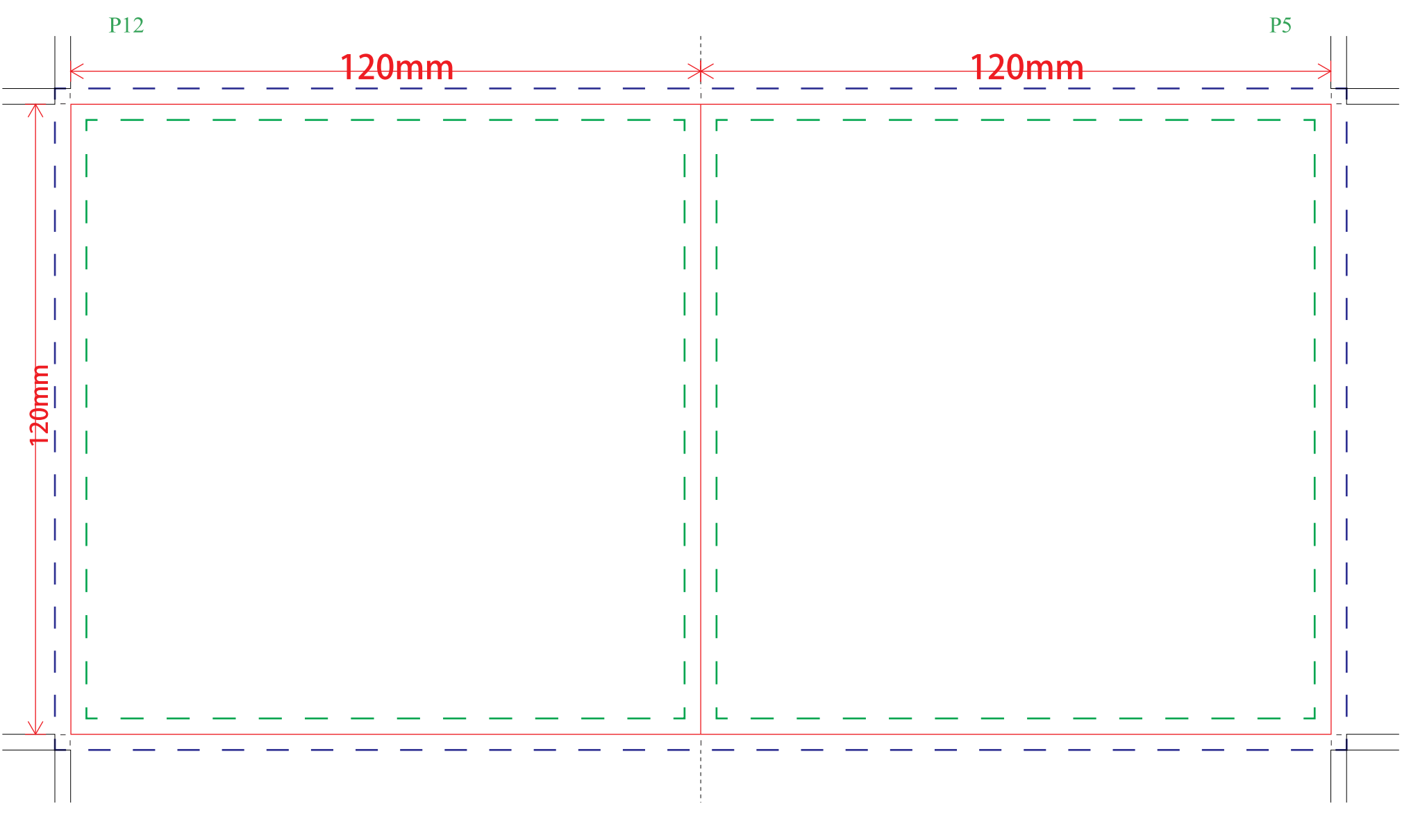
120mm

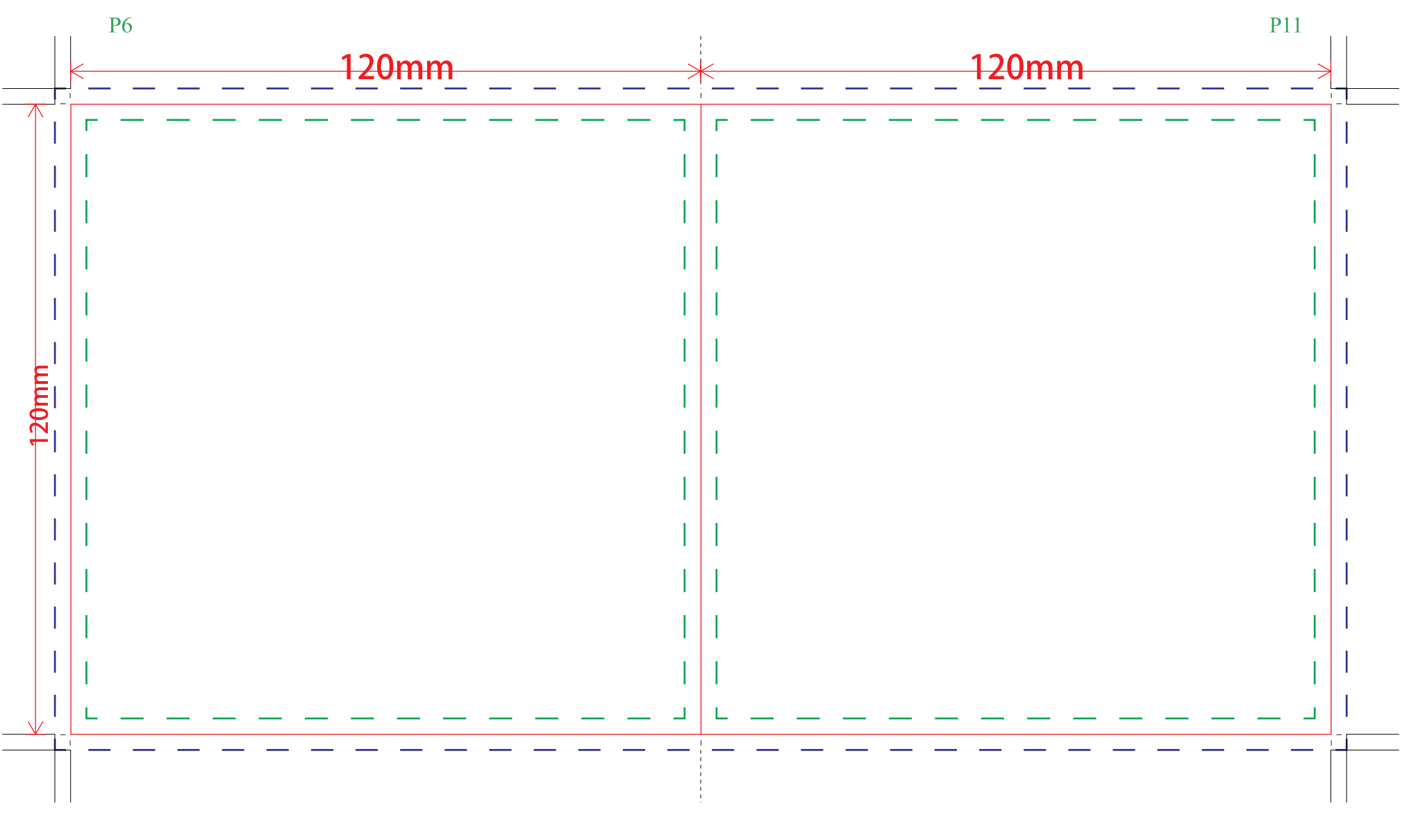
120mm

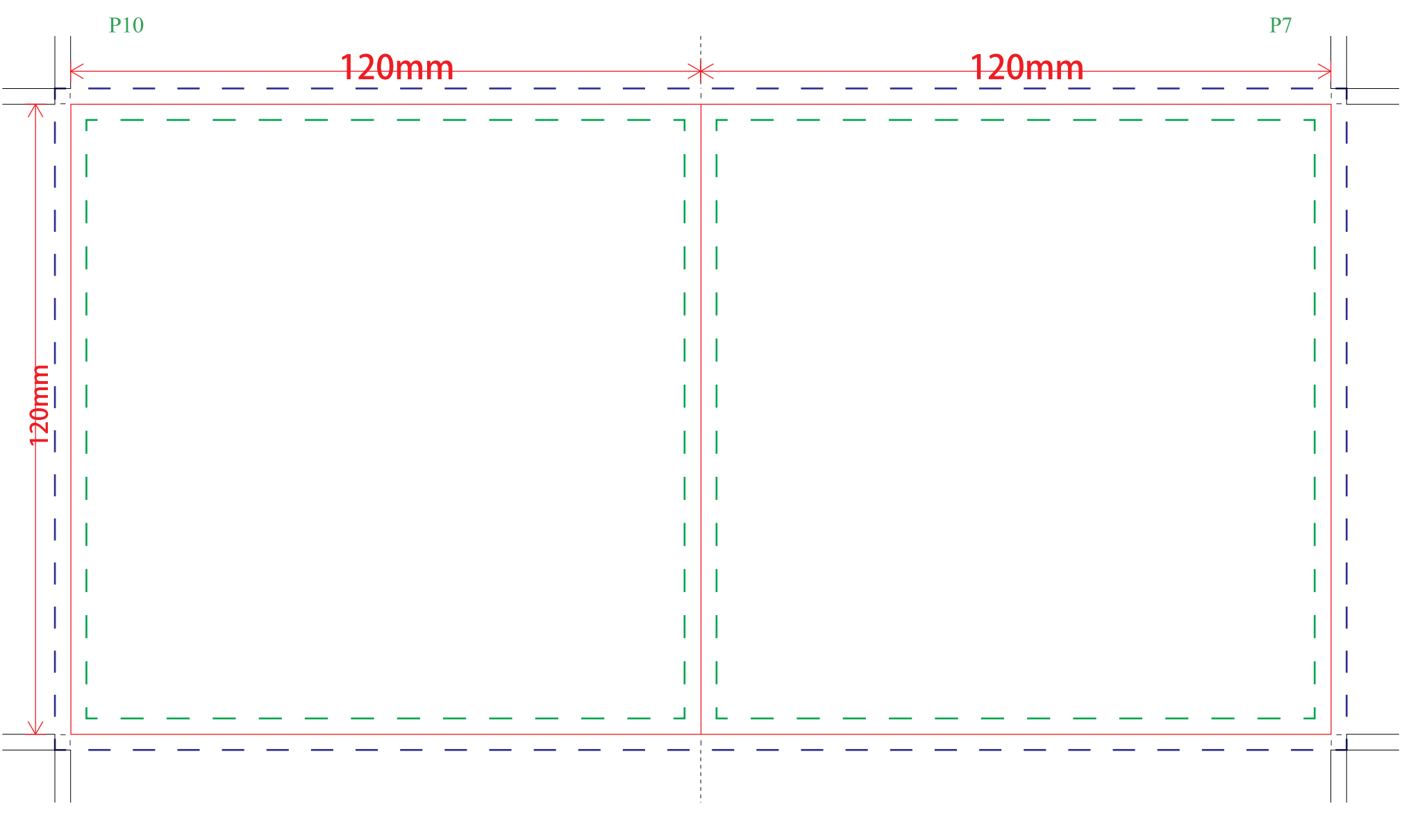
120mm











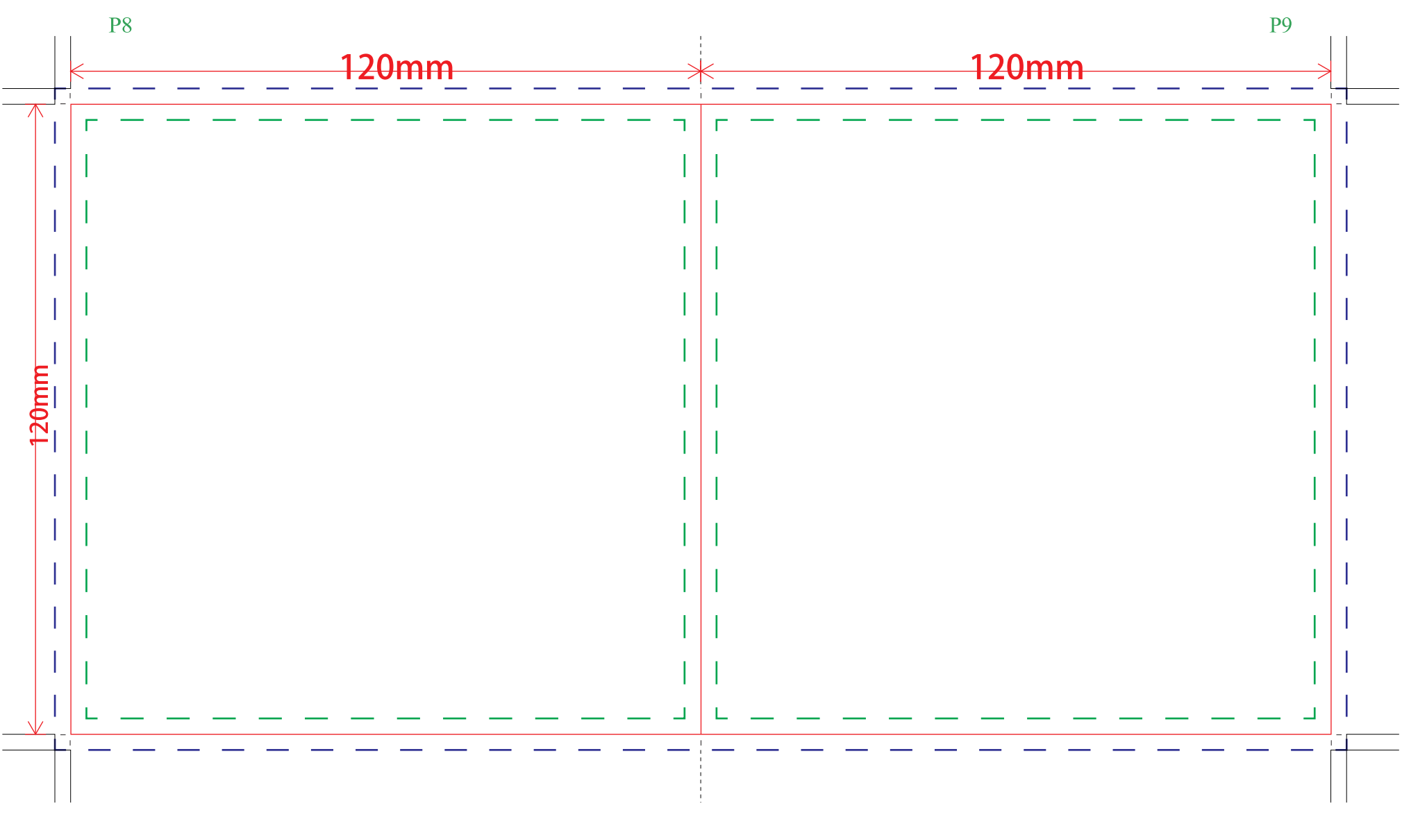
P10

P7

120mm

120mm

120mm



Finish Size: 120x120mm

--- Extended Bleed Area
--- Text Safe Region

3mm bleed must be added to all trim edges
File in CMYK format at 300 DPI
All fonts converted to curves or paths
Keep template layers and artwork layers separate

