

P20

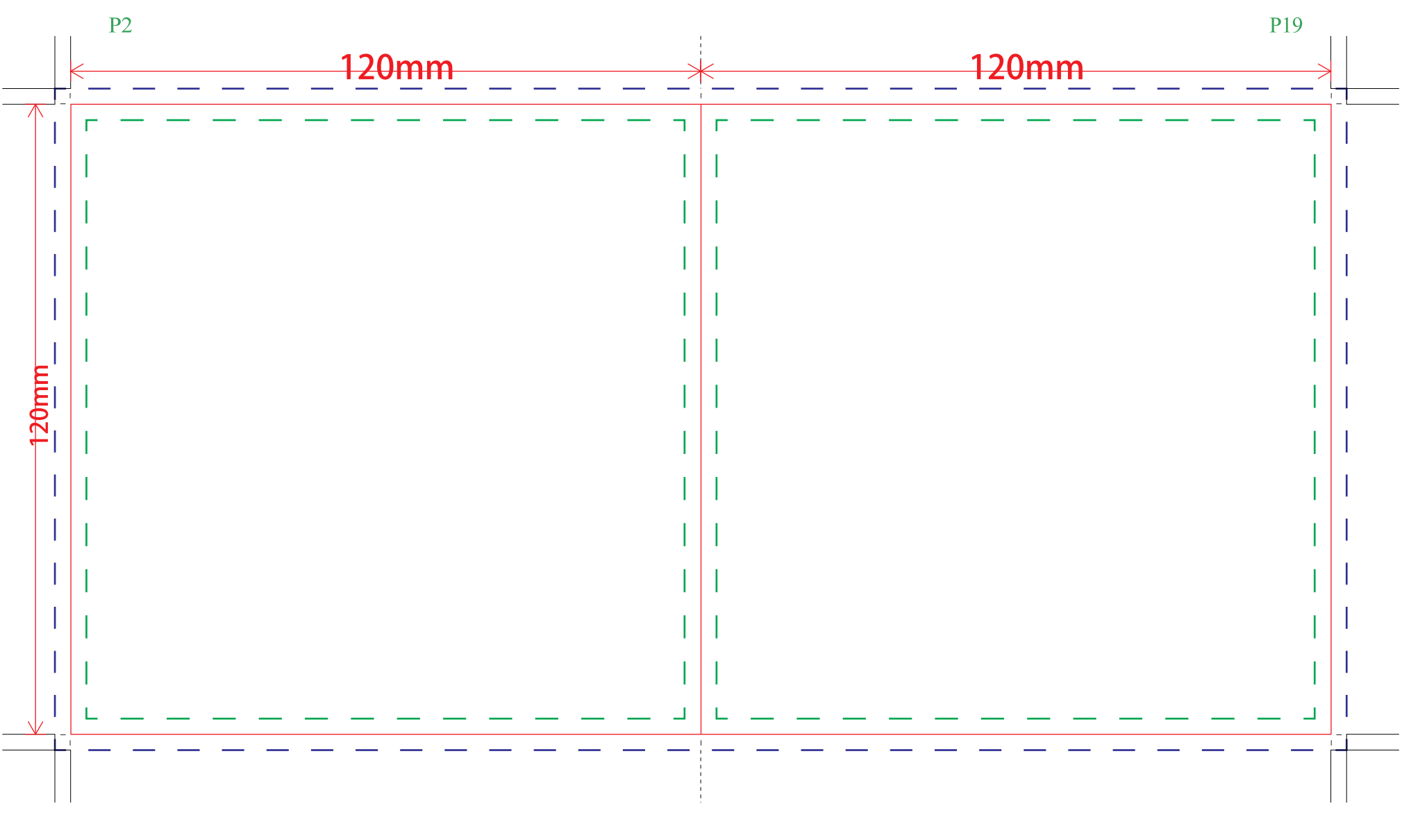
P1

120mm

120mm

120mm

ID :



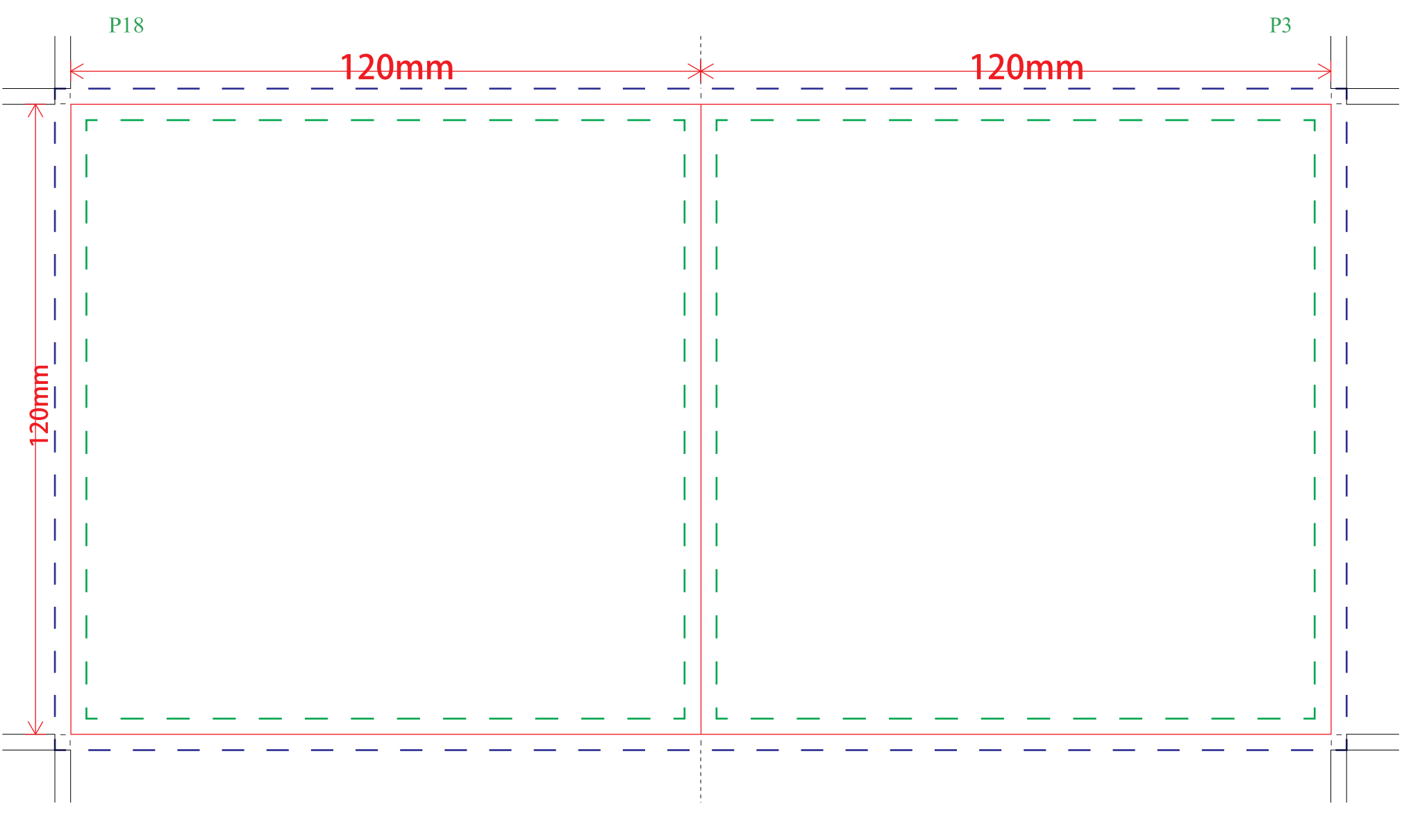
P18

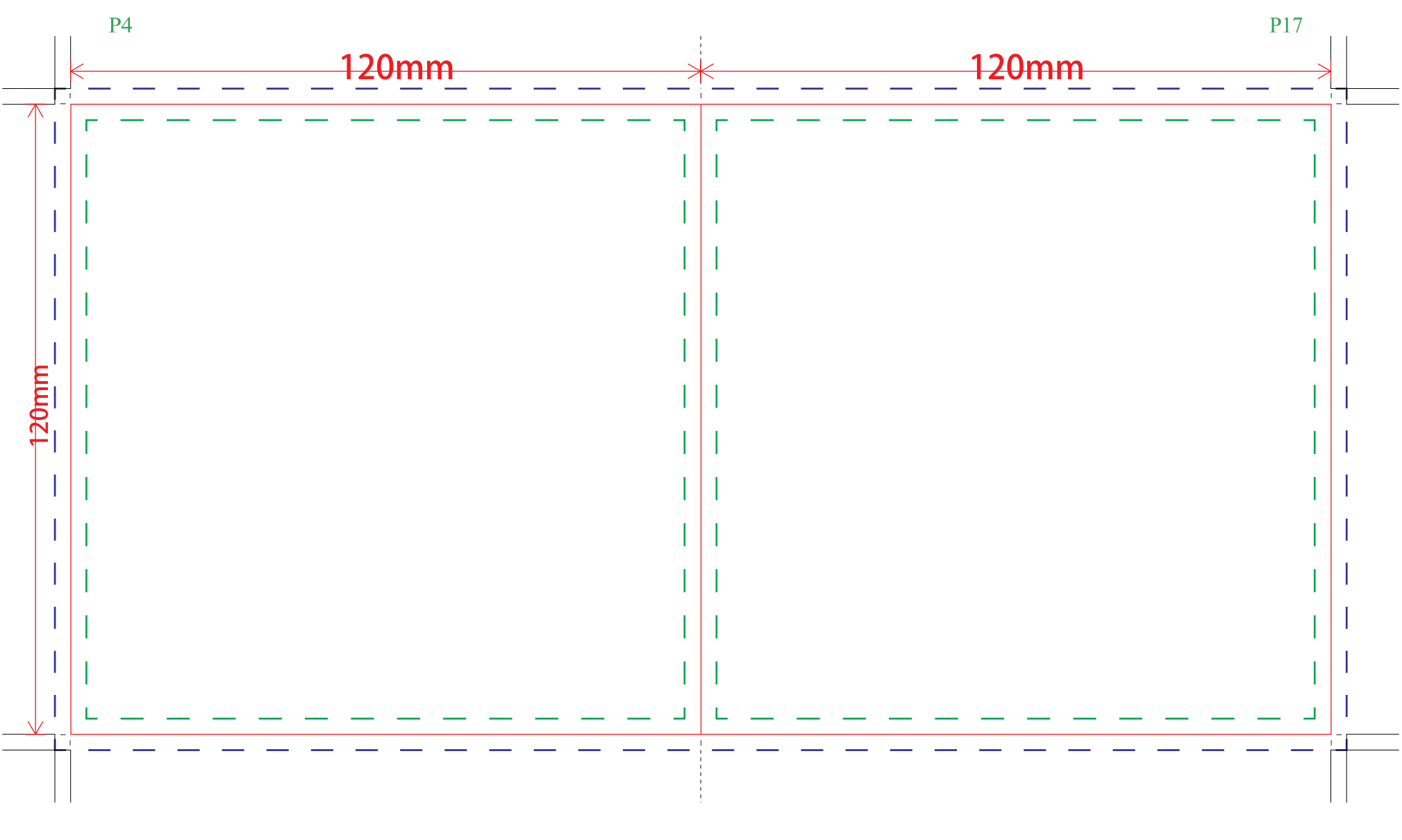
P3

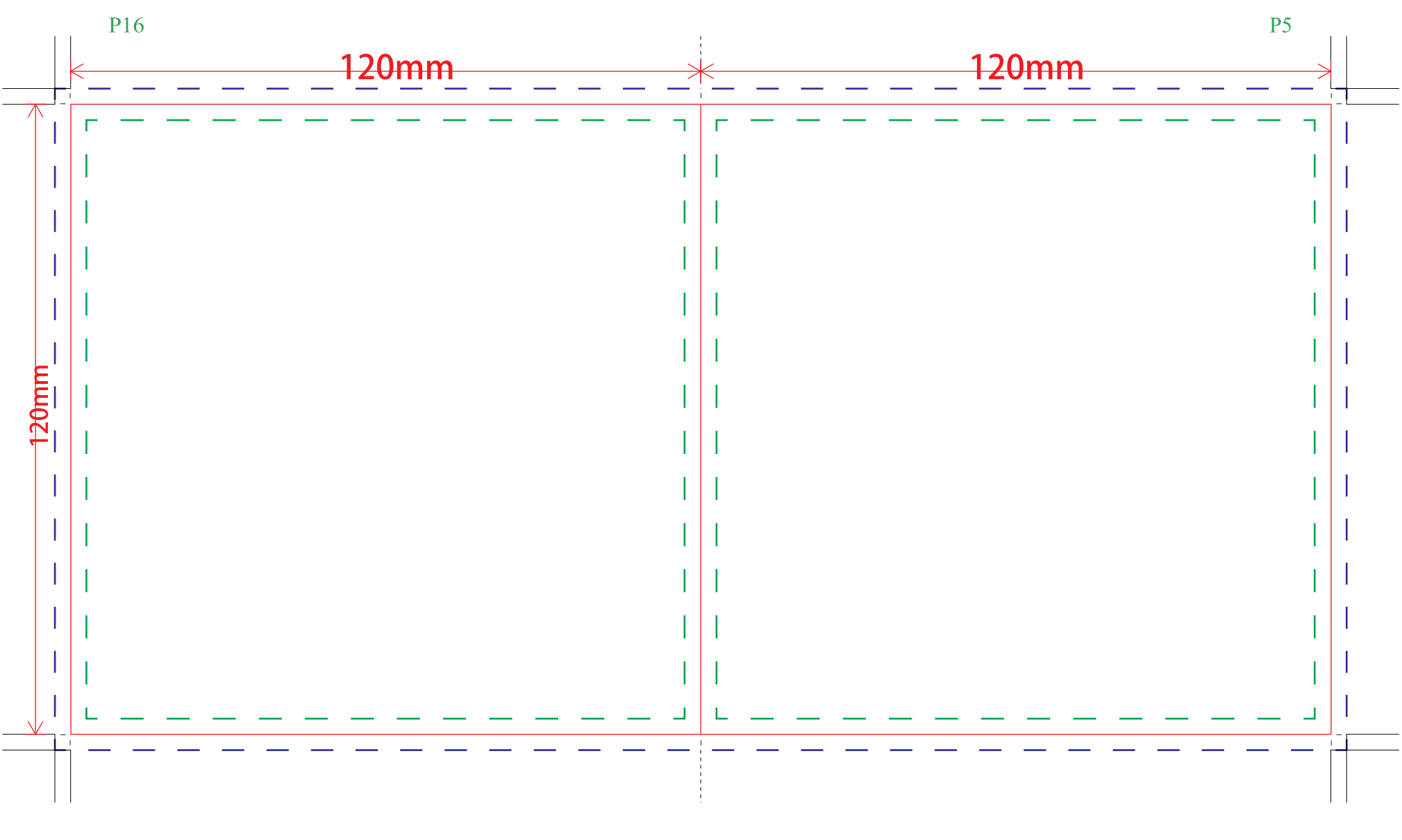
120mm

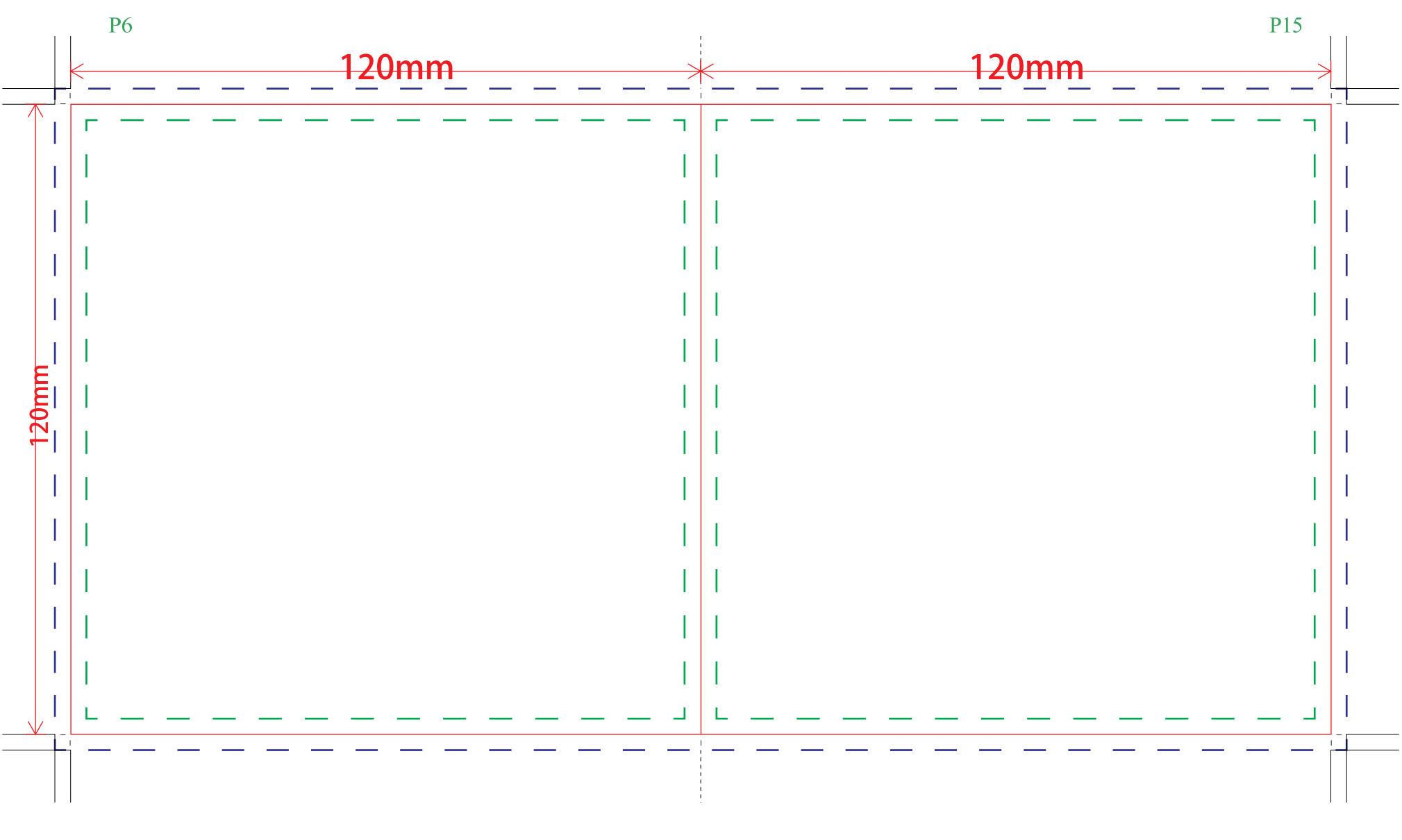
120mm

120mm









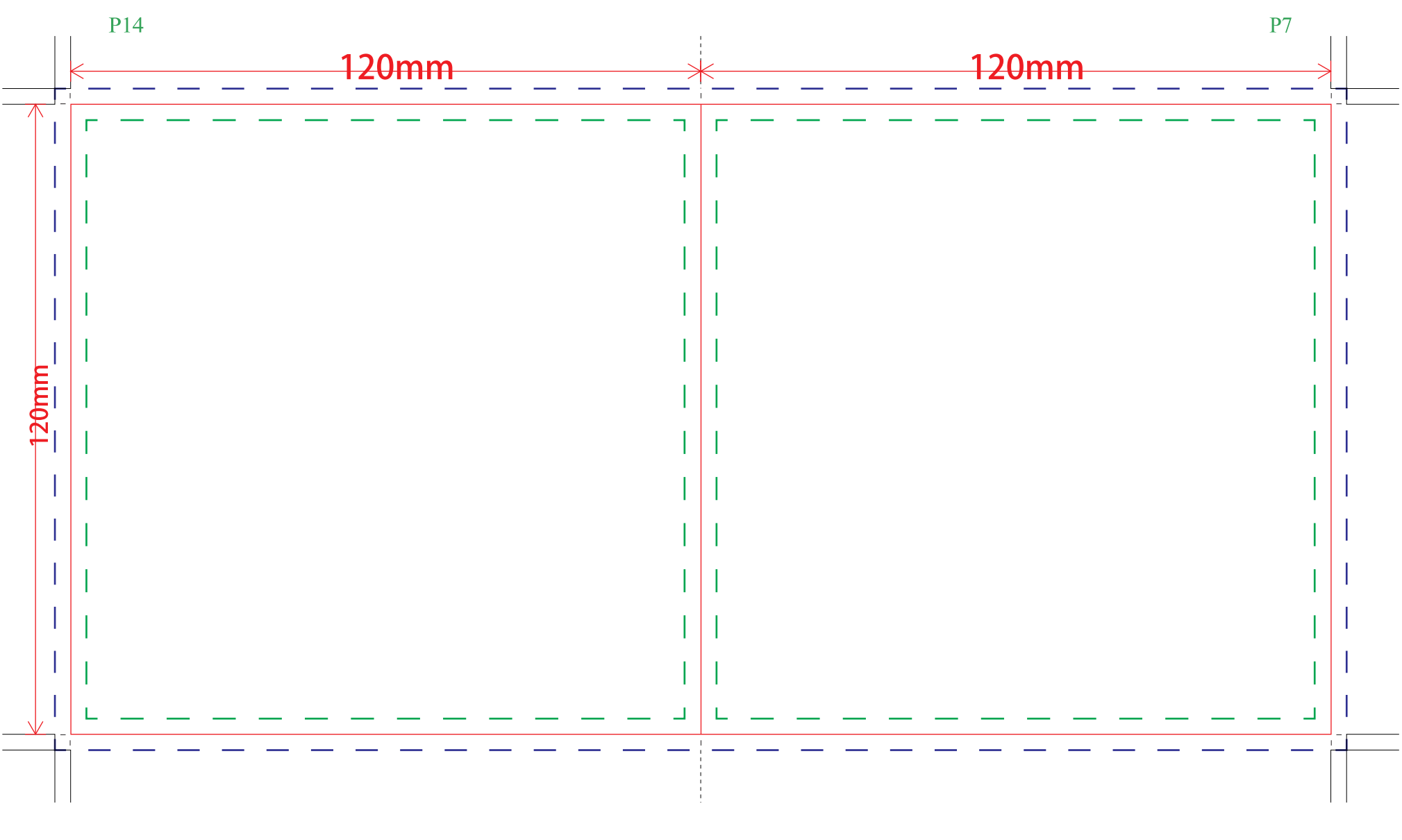
P6

P15

120mm

120mm

120mm



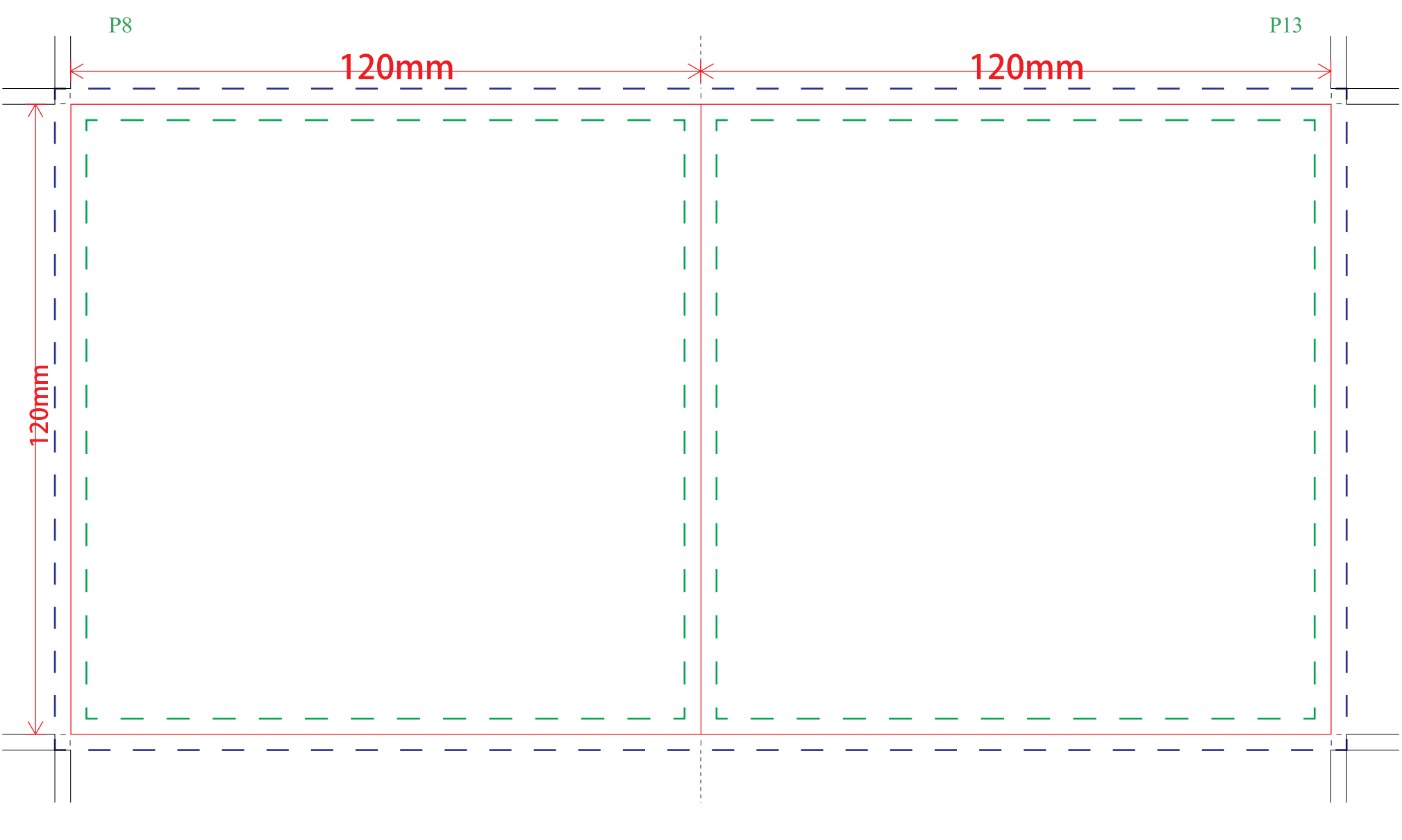
P14

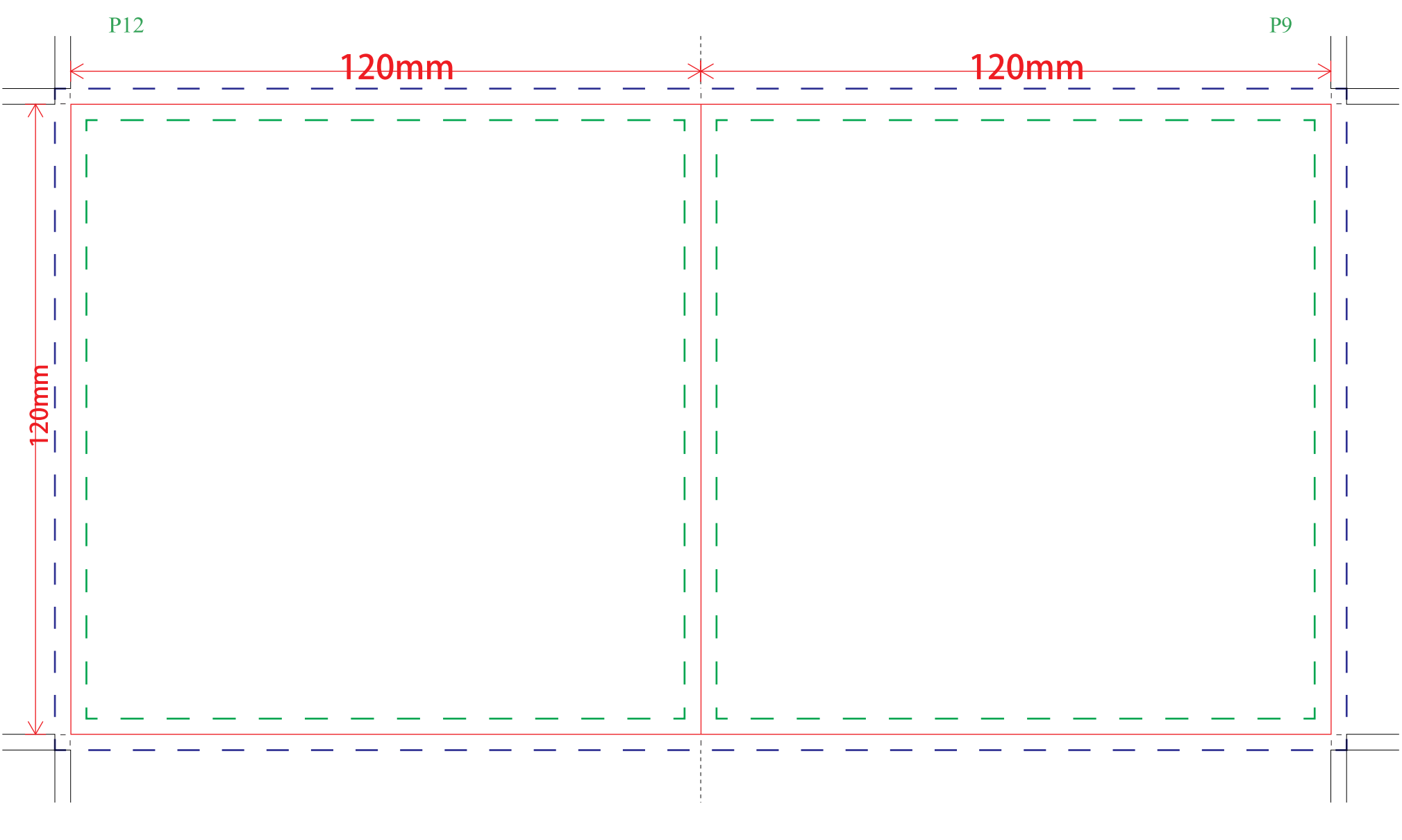
P7

120mm

120mm

120mm





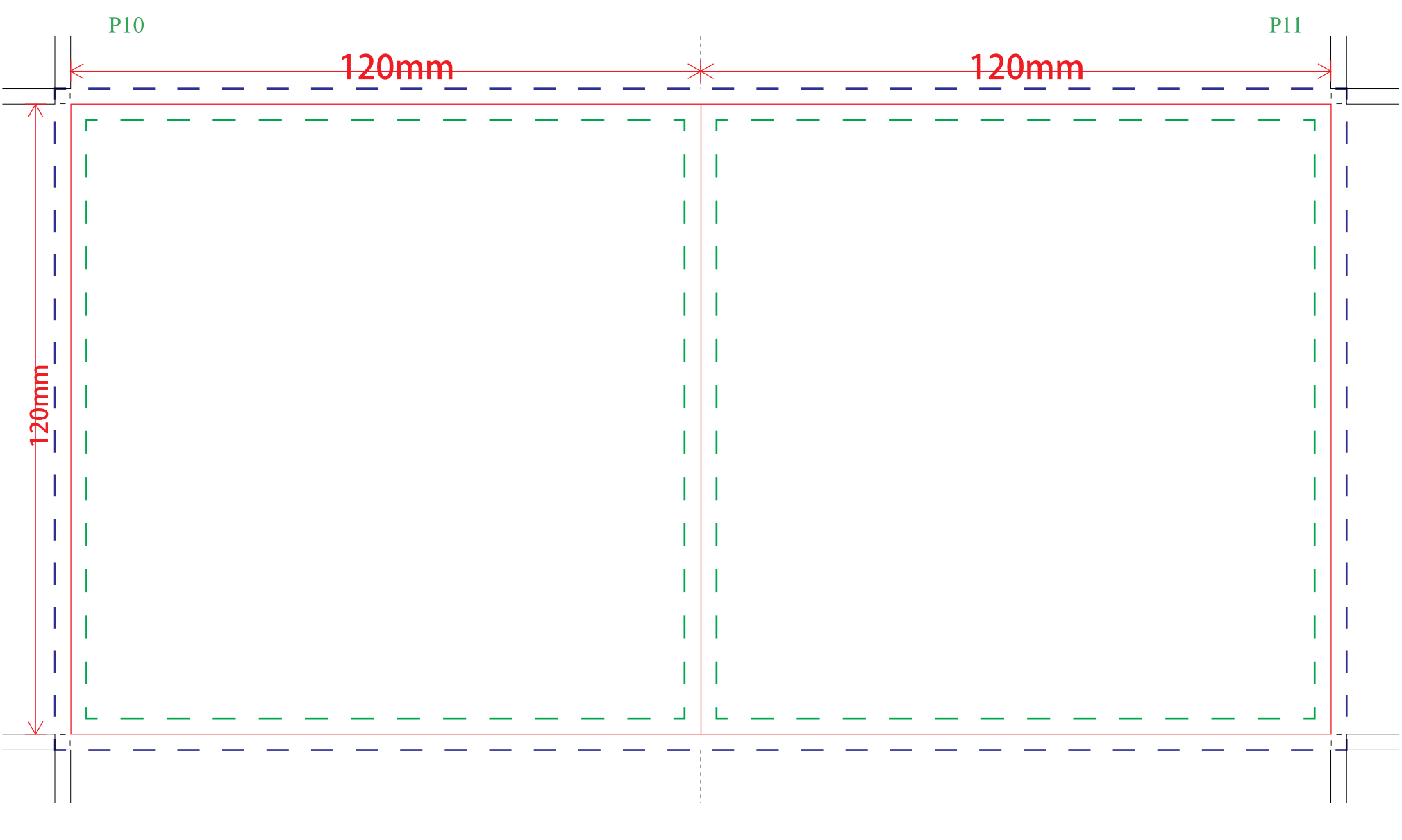
P12

P9

120mm

120mm

120mm



P10

120mm

120mm

P11

120mm

Finish Size: 120x120mm

--- Extended Bleed Area
--- Text Safe Region

3mm bleed must be added to all trim edges
File in CMYK format at 300 DPI
All fonts converted to curves or paths
Keep template layers and artwork layers separate

